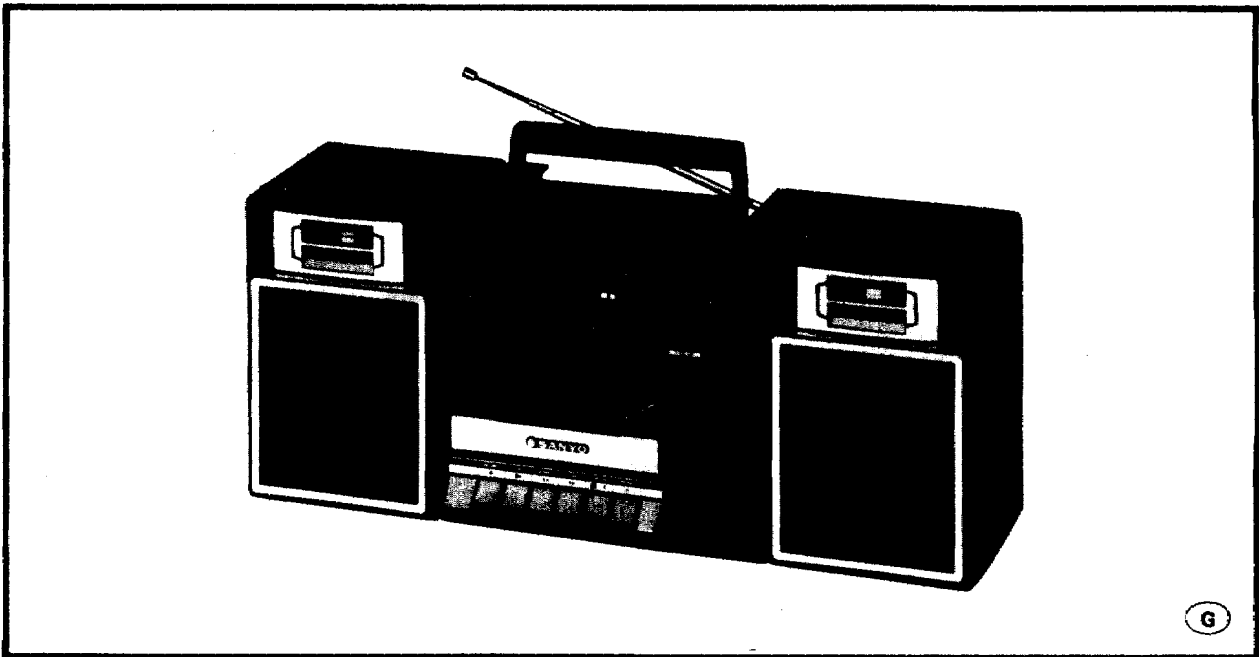




SANYO

M9708L

OPERATING INSTRUCTIONS



**Portable LW/MW/SW/FM Stereo Radio
Cassette Recorder**

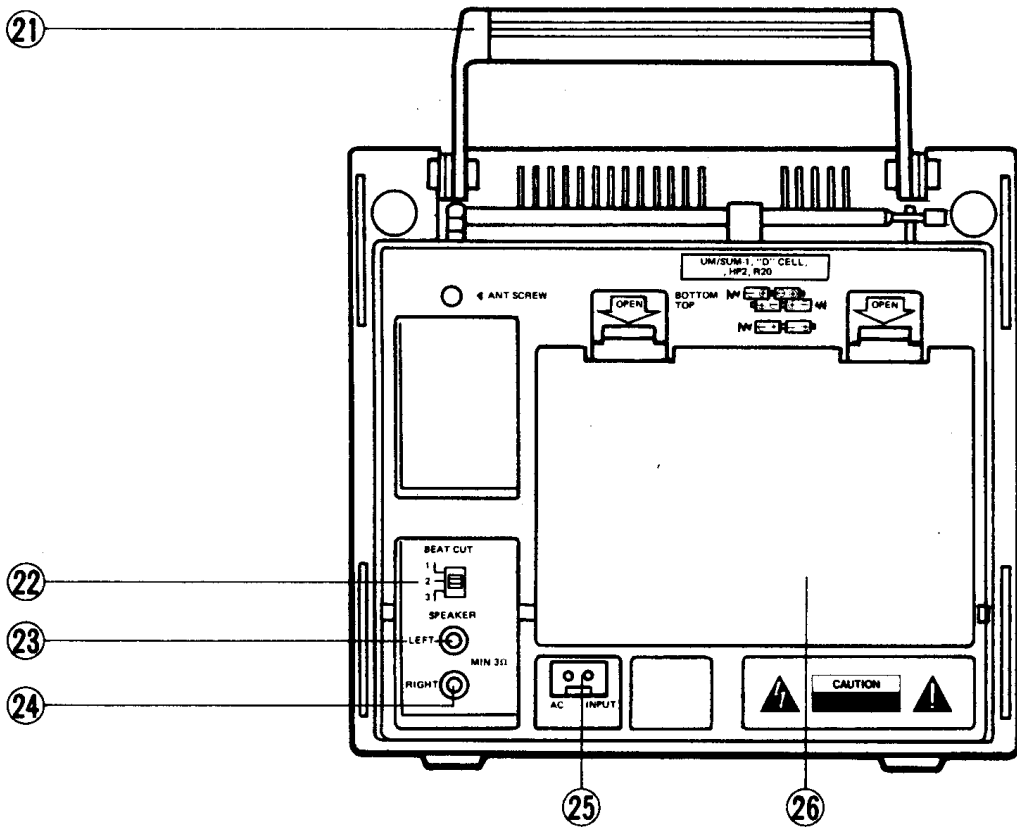
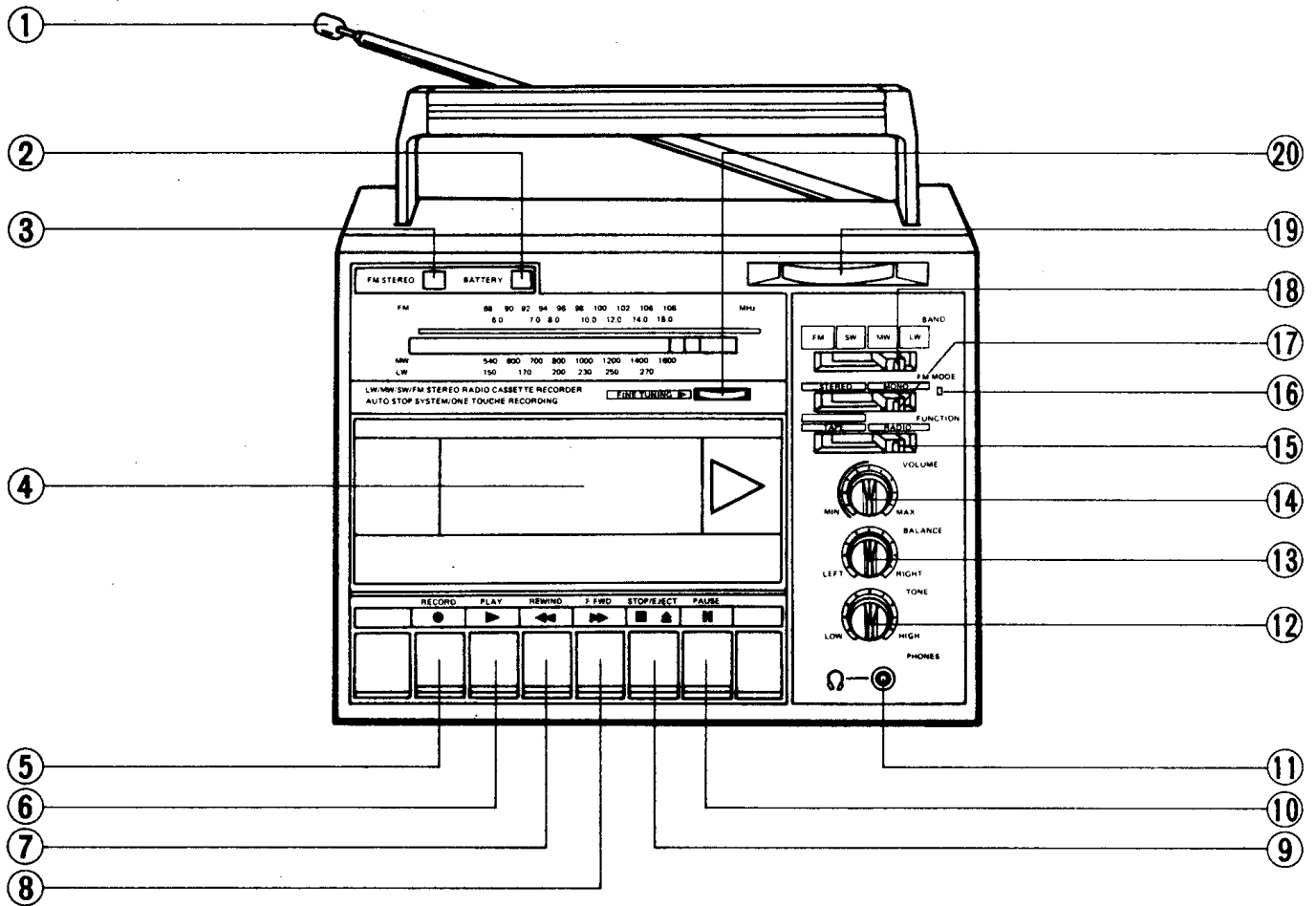


Fig. 1

CONTROLS (Fig. 1)

1. Antenna
2. Battery indicator (BATTERY)
3. FM Stereo indicator (FM STEREO)
4. Cassette compartment lid
5. Record button (RECORD)
6. Play button (PLAY)
7. Rewind button (REWIND)
8. Fast forward button (F FWD)
9. Stop/eject button (STOP/EJECT)
10. Pause button (PAUSE)
11. Headphones jack (PHONES)
12. Tone control (TONE)
13. Balance control (BALANCE)
14. Volume control (VOLUME)
15. Function select switch (FUNCTION)
16. Built-in condenser microphone (MIC)
17. FM Mode select switch (FM Mode)
18. Band select switch (BAND)
19. Tuning control (TUNING)
20. Fine tuning control (FINE TUNING)
21. Carrying handle
22. Beat cut switch (BEAT CUT)
23. Left speaker jack (LEFT SPEAKER)
24. Right speaker jack (RIGHT SPEAKER)
25. AC input socket (AC INPUT)
26. Battery compartment

SPEAKER BOXES

HOW TO ATTACH THE SPEAKER BOXES (Fig. 2)

1. Lift the speaker box.
2. Fit the projection on the side of the speaker box into the depression on the base unit and slide the speaker down.
3. Plug the speaker cord into the SPEAKER jack on the rear of the unit.
4. Wind the extra length of the speaker cord around the cord clips on the rear of the speaker box and arrange the speaker cord into the groove inside of the battery compartment and through the notches on the cord clips on the rear of the speakers.

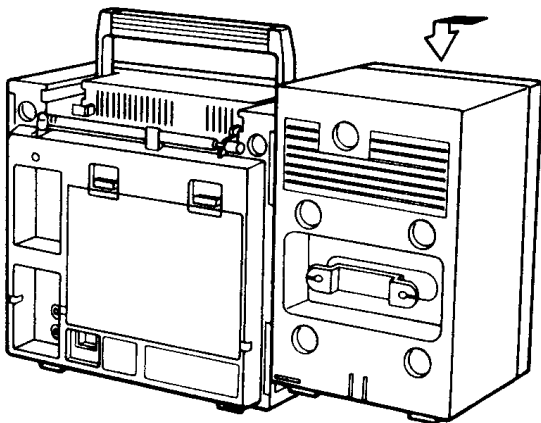


Fig. 2

HOW TO REMOVE THE SPEAKER BOXES (Fig. 3)

1. Unplug the speaker cords from the unit's SPEAKER jacks.
2. Take off the arranged speaker cords from the cord clips and groove.
3. Depress the RELEASE button on the bottom of the speaker box. Lift the speaker and detach it from the unit.

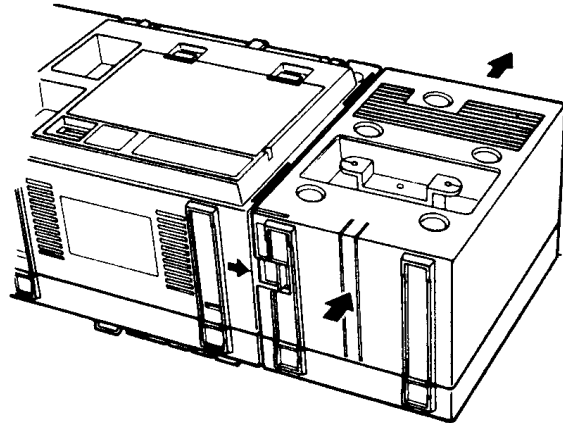


Fig. 3

POWER SUPPLY

BATTERY OPERATION

1. Open the battery compartment lid located at the rear of the unit by pressing the two latches (Fig. 4).

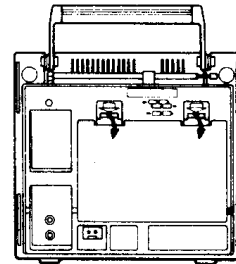


Fig. 4

2. Install six "D" size (R20) batteries into the compartment making sure they are installed in the proper direction as illustrated on the cabinet back (Fig. 5).

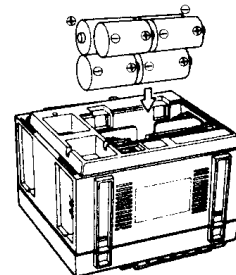


Fig. 5

NOTE:

If the batteries are not installed according to the above instructions, the unit will not operate properly and damage may result.

- Close the battery compartment lid.

NOTE:

In the following cases, the batteries are exhausted and must be replaced.

- The BATTERY indicator does not light or becomes dim.
- The sound level becomes low.
- The tape speed slows down.
- The recorder will not start to function.

IMPORTANT:

Exhausted batteries may leak and damage the recorder.

Always remove batteries if the unit is not to be used for a month or more, or used with AC exclusively.

AC OPERATION

1. Insert the female plug of the AC mains lead into the AC INPUT socket (Fig. 6).

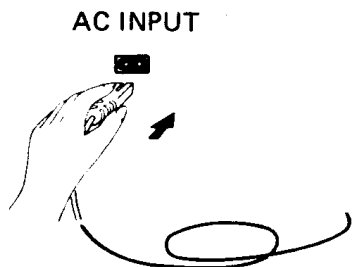


Fig. 6

2. Fit a suitable mains plug to the other end and insert into an AC outlet supplying 240 volts, 50 Hertz.

IMPORTANT:

The wires in the mains lead are coloured in accordance with the following code:

- Blue: Neutral
- Brown: Live

As the colours of the wires in the mains lead of this apparatus may not correspond with the coloured markings identifying the terminals in your plug proceed as follows:—

The wire which is coloured blue must be connected to the terminal which is marked with the letter N or coloured black.

The wire which is coloured brown must be connected to the terminal which is marked with the letter L or coloured red.

NOTE:

Disconnect the mains plug from the supply socket when not in use. Do not remove the back cover with mains connected.

NOTE:

When the AC mains lead is connected to the AC INPUT socket, a switch inside the socket automatically disconnects the batteries power and the unit then operates on AC. For battery operation, disconnect the AC mains lead from the unit.

CASSETTE TAPE

CHECKING THE CASSETTE

Make sure that the cassette tape has no slack before inserting it into the recorder. If the tape is not tight, it may wind around the head mechanism. Use a pencil to take up slack on one of the reels (Fig. 7).



Fig. 7 — 3 —

TO SAFEGUARD AGAINST ACCIDENTAL ERASURE (Fig. 8)

Whenever a recording is made, the sound previously recorded is erased automatically.

To protect valuable recordings from accidental erasure, the unit and cassette are equipped with safety devices. To keep the recorded material, break out the tabs on the back of the cassette with knife or screwdriver. To protect the SIDE A (1) from accidental erasure, break out the right-hand side tab (2). To record on a cassette whose tabs have been broken, simply attach adhesive tape (3) over the tab opening. The RECORD button will not lock in position when a cassette tab has been removed.

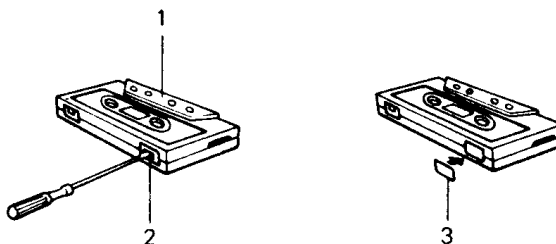


Fig. 8

OPERATION

RADIO RECEPTION

1. Set the FUNCTION select switch to "RADIO" position and then set the BAND select switch to your desired radio band (LW/MW/SW/FM).
2. For FM reception, pull out the antenna and determine the direction, length and angle for best reception. For SW reception, the antenna should stand vertically. For LW and MW the internal (Ferrite rod) aerial is used, but is some what directional. Rotate the unit or place it in a different position to obtain clear reception on weaker LW and MW stations.
3. Tune in a desired station by turning the Tuning control knob as you hear the maximum signal strength of a broadcasting station. For SW tuning, retune in the station accurately with the FINE TUNING control.
4. To receive FM stereo stations, set the FM MODE select switch to STEREO position. The FM STEREO indicator will light when a stereo broadcast is being received. If an FM station is broadcasting mono, or the FM STEREO indicator blinks, or a weak station is received, set the FM MODE select switch to MONO position for better reception.
5. Adjust the VOLUME, BALANCE and TONE controls to your desired sound level and tonal quality.
6. To turn off the radio, set the FUNCTION select switch to "TAPE (RADIO OFF)" position.
 - Built-in loudness

The loudness feature is designed to boost bass and treble frequencies at low VOLUME setting. Normal hearing is less sensitive to these frequencies when music is played softly. The feature has no effect when the VOLUME control is set above the center position.
 - Headphones

For private listening to all programme sources you may plug a pair of stereo headphones into the PHONES jack.

PREPARATION FOR RECORDING AND PLAYBACK

- **Pause**
Press the PAUSE button to momentarily stop tape travel during recording or playback. Re-press the button for pause release and recording (or playback) re-start.
- **Automatic stop**
Press the STOP/EJECT button to stop recording (or playback) at any time.
When the end of the tape has been reached, the RECORD and PLAY buttons (or the PLAY button) will be released automatically.
- **ALC (Automatic Level Control)**
This unit has an Automatic Level Control circuit and no further adjustment of the recording level is necessary during recording.
- **Fast Forward and Rewind**
For fast winding or rewinding the tape, press the Fast Forward (F FWD) or Rewind (REWIND) button.
Press the STOP/EJECT button when the desired location has been reached.
When the end of the tape has been reached, the reel will stop.
Then the STOP/EJECT button should be pressed.

RECORDING FROM BUILT-IN RADIO

1. Push the STOP/EJECT button and then insert a cassette with the full reel to the left and the side to be recorded facing you.
 2. Follow the steps "1" to "4" of "RADIO RECEPTION".
 3. Push the RECORD button down.
You are now recording.
The sound coming through the speakers while recording from the radio is the monitor of the programme being recorded.
You can adjust the sound volume of the monitor programme with the VOLUME control as this will not affect the recording level.
 4. Push the STOP/EJECT button and then set the FUNCTION select switch to "TAPE" position to stop the recording completely.
- **BEAT CUT switch**
When recording a LW, MW or SW radio programme on tape, an irritating beat sound (high pitched tone) may sometimes be heard caused by an interaction between the recording bias frequency and the radio frequency.
In this case, simply set the BEAT CUT switch to the other position.
After recording is completed, set this switch to "2" position for recording from other programme sources.

RECORDING FROM BUILT-IN CONDENSER MICROPHONE

1. Set the FUNCTION select switch to "TAPE" position.
2. Push the STOP/EJECT button and insert a cassette tape with the full reel to the left and the side to be recorded facing you.
3. Push the RECORD button down.
You are now recording. Speak in a normal voice at a distance of approximately 1 foot (30 cm) away from the built-in microphone.

NOTE:

To prevent feedback, monitoring is not possible.

WARNING:

TO PREVENT FIRE OR SHOCK HAZARDS, DO NOT EXPOSE THIS APPLIANCE TO RAIN OR MOISTURE.

PLAYBACK

1. Set the FUNCTION select switch to the "TAPE" position.
2. Push the STOP/EJECT button and insert a recorded cassette tape with the full reel to the left and the side to be played facing you.
3. Push the PLAY button down. Your unit will begin to playback.
4. Adjust the VOLUME, BALANCE and TONE controls to your desired sound level and tonal quality.

MAINTENANCE

1. **Cleaning the heads, pinch roller and capstan (Fig. 9).**
To assure continued high performance from your recorder, periodically clean the heads, the pinch roller and the capstan whenever an accumulation of dust and red-brown oxide particles are noticed.
These particles may be cleaned with a cotton swab moistened in methylated spirits or special head-cleaning fluid.
To do this properly, open the cassette compartment lid by pushing the STOP/EJECT button. Push the PLAY button down so that the heads and the pinch roller will project upward.
Carefully rub the face of the heads, and also the surface of the capstan and the pinch roller.

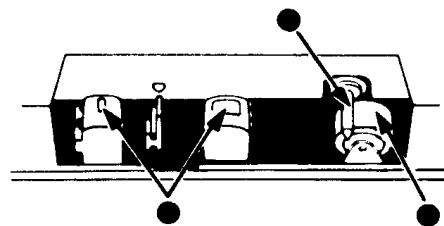


Fig. 9

2. **Cleaning of the cabinet**
Use a clean soft cloth, moistened in with plain lukewarm water.
Never use benzol, benzine, alcohol or other strong chemical cleaners since they could damage the finish of the unit. It is important that no liquid reaches the inside of the unit.

 **SANYO**
SANYO ELECTRIC CO., LTD.
OSAKA, JAPAN

R-4779277